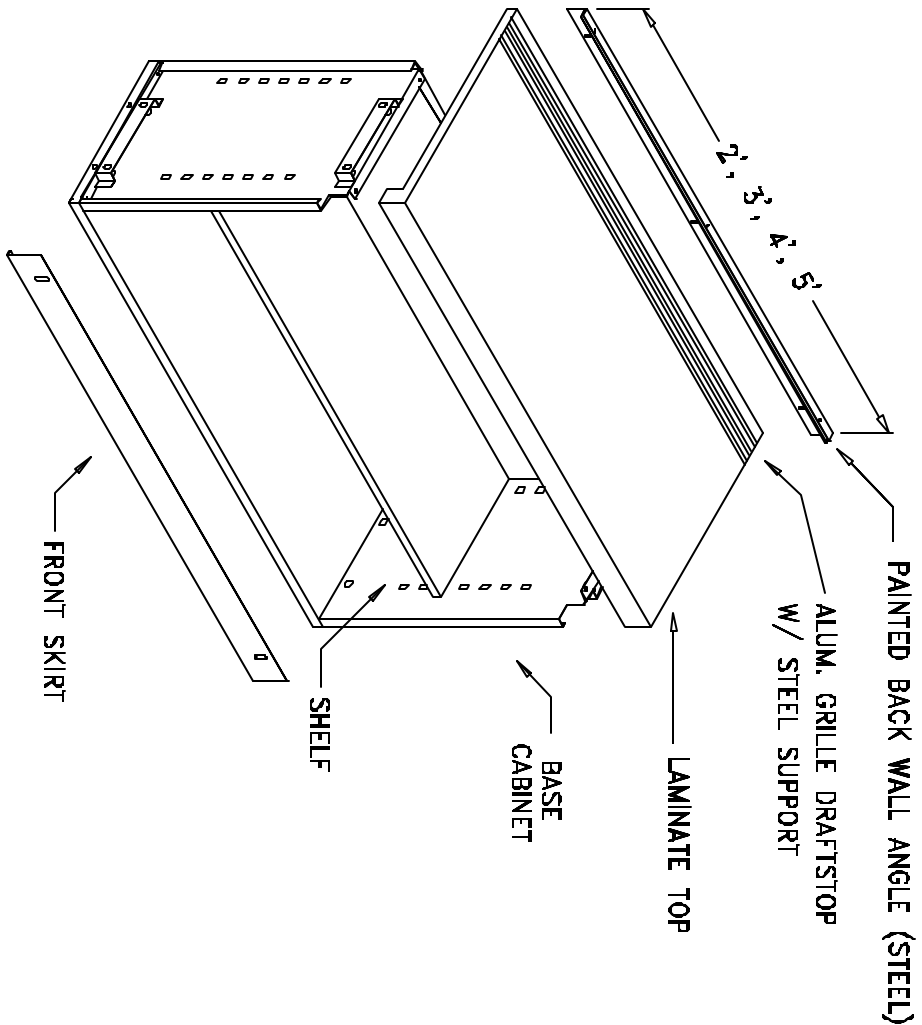
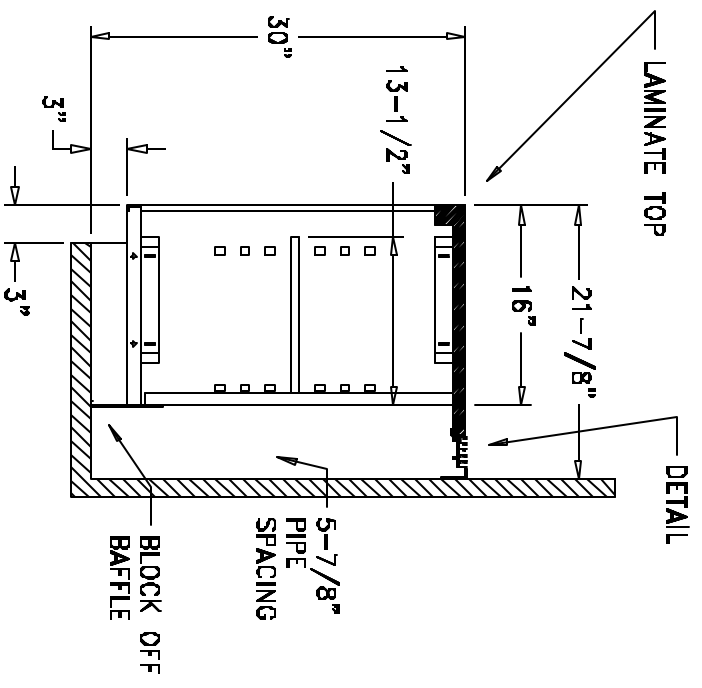


DETAIL



**HVAC**  
**CUSTOM ENCLOSURE CO., LLC**  
 3554 Plazarent Ave.  
 Homburg, NY 14075  
 Phone: 716-646-0900  
 Fax: 716-646-0913

CONTRACTOR: \_\_\_\_\_ REPRESENTATIVE: \_\_\_\_\_  
 ARCHITECT: \_\_\_\_\_ ENGINEER: \_\_\_\_\_

PROJECT: \_\_\_\_\_  
 MODEL: CABINET, ALUM. GRILLE DRAFTSTOP (LAMINATE TOP)  
 DATE: 02/01/05 REV. #001 DWG. NO. SC215-0022