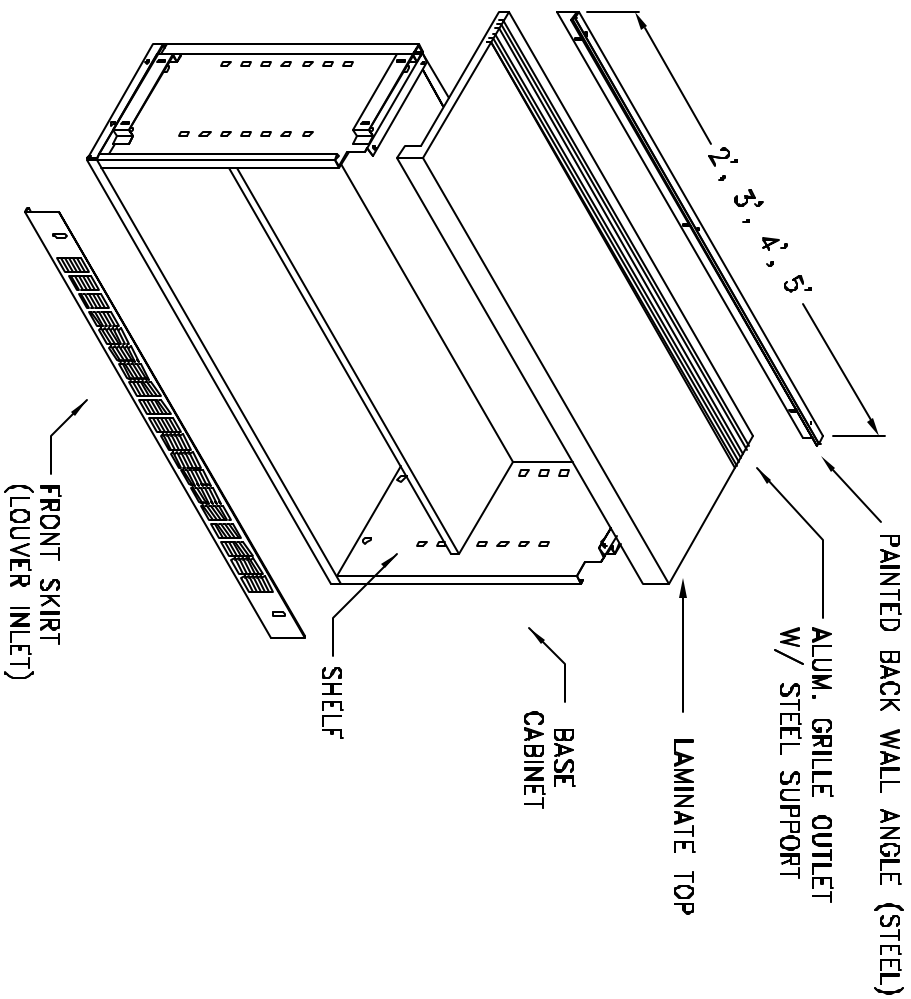
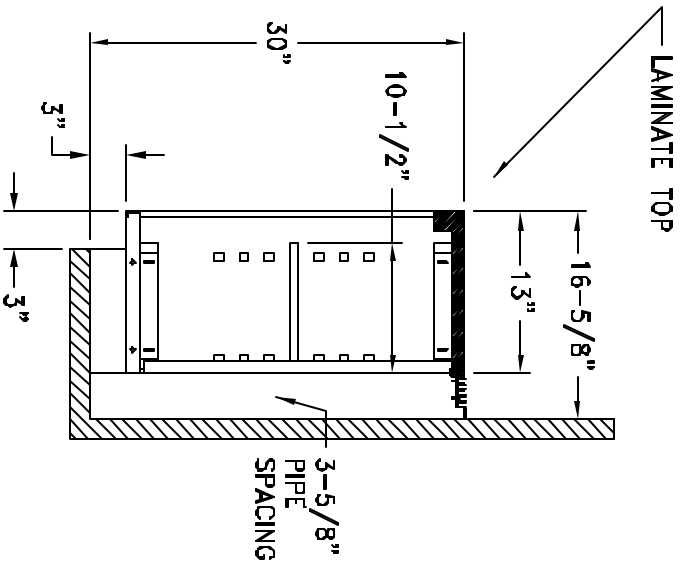


DETAIL



HVAC
CUSTOM ENCLOSURE CO., LLC
 3554 Plazarent Ave.
 Homburg, NY 14075
 Phone: 718-646-0800
 Fax: 716-646-0913

PROJECT:

MODEL: CABINET, ALUM. GRILLE OUTLET (LAMINATE TOP)

DATE: 02/01/05 REV. #001 DWG. NO. SC166-0042

CONTRACTOR: _____ REPRESENTATIVE: _____
 ARCHITECT: _____ ENGINEER: _____