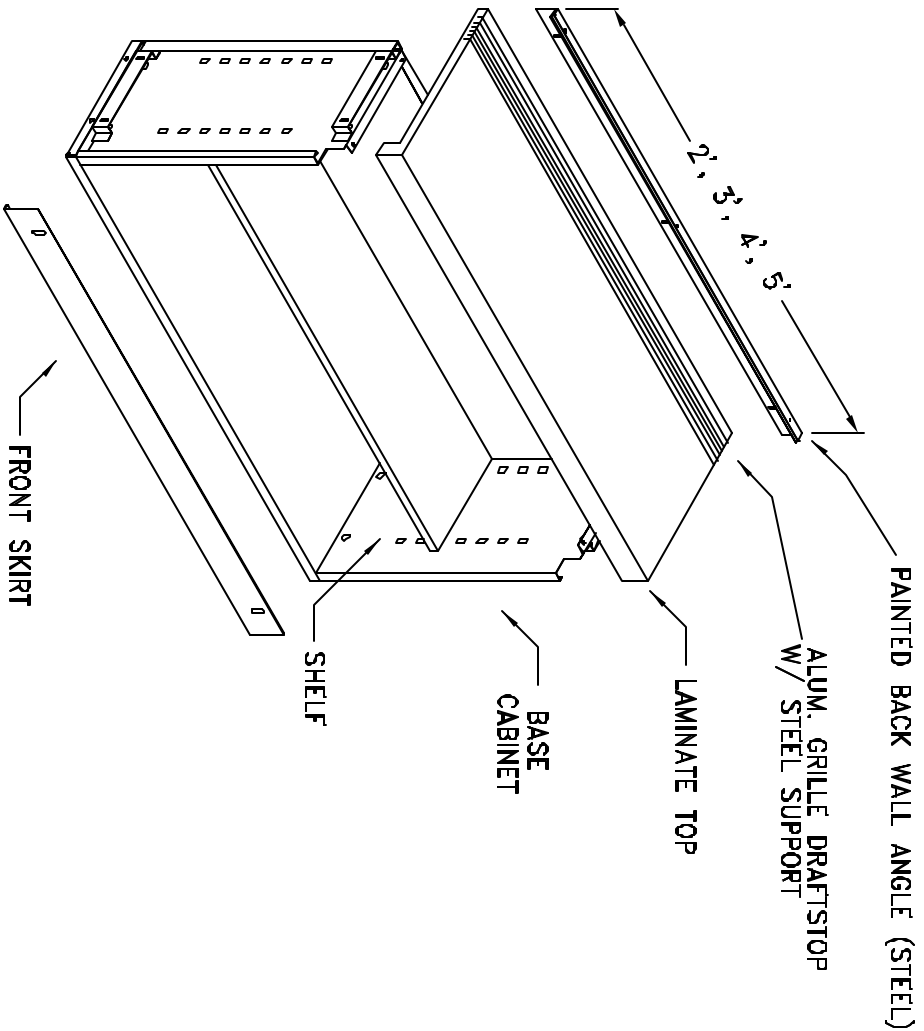
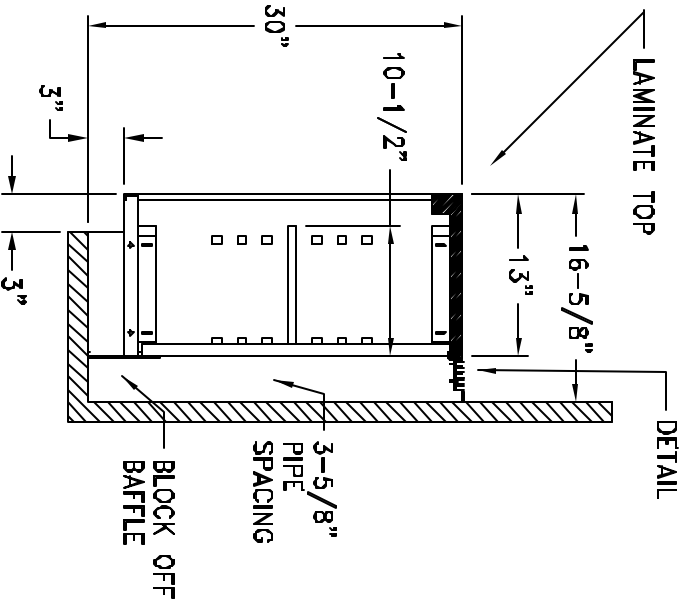


DETAIL



HVAC
CUSTOM ENCLOSURE CO., LLC
 3554 Placidantl Ave.
 Homburg, NY 14075
 Phone: 718-646-0900
 Fax: 716-646-0913

PROJECT:

MODEL: CABINET, ALUM. GRILLE DRAFTSTOP (LAMINATE TOP)

DATE: 02/01/05 REV. #001 DWG. NO. SC165-0044

CONTRACTOR: _____ REPRESENTATIVE: _____
 ARCHITECT: _____ ENGINEER: _____