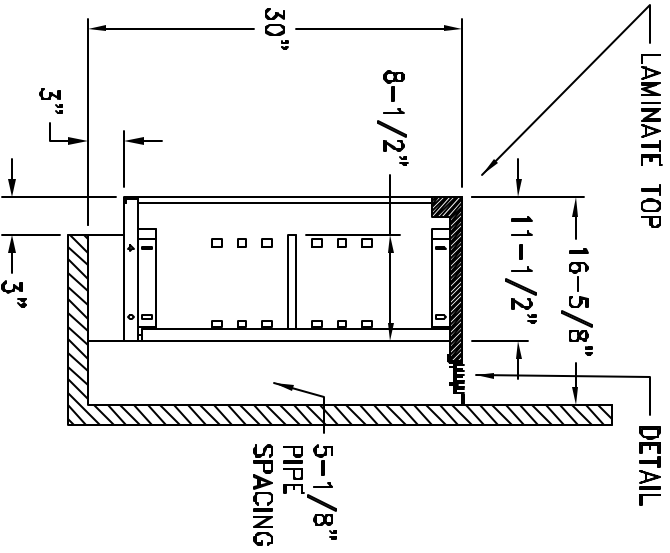
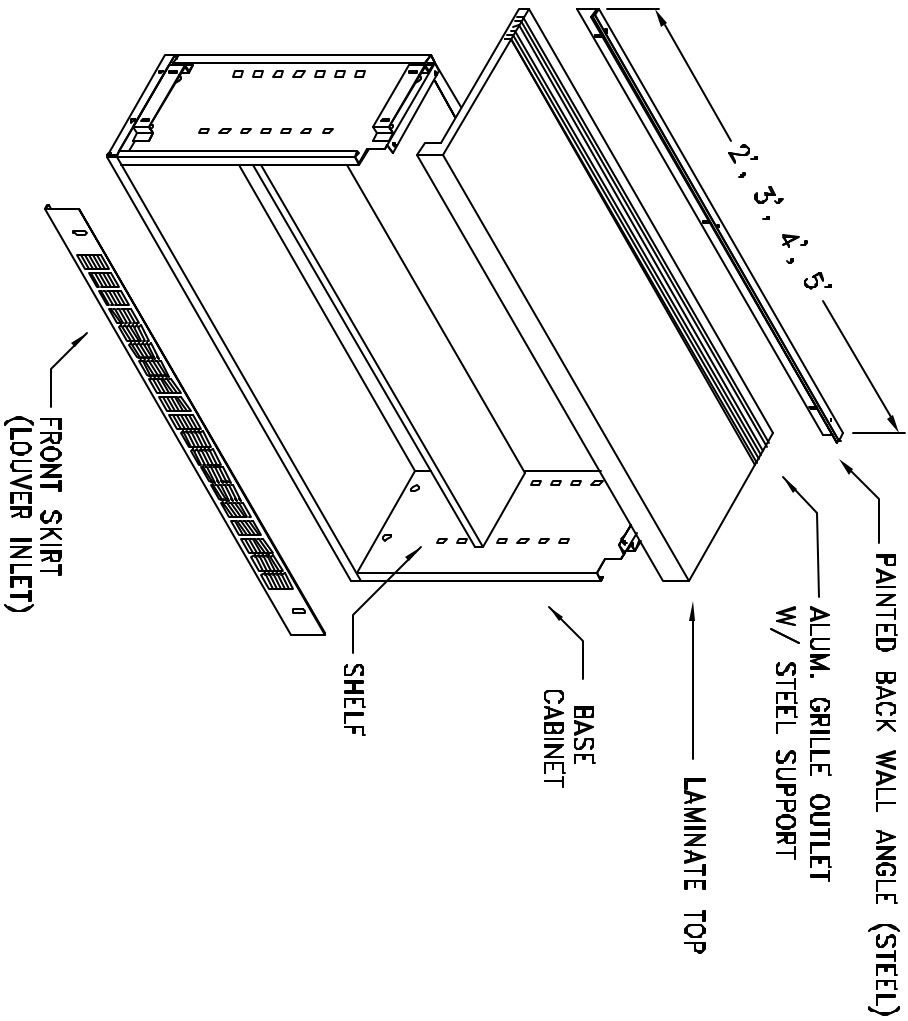


DETAIL



LAMINATE TOP

DETAIL



CONTRACTOR: \_\_\_\_\_ REPRESENTATIVE: \_\_\_\_\_  
 ARCHITECT: \_\_\_\_\_ ENGINEER: \_\_\_\_\_

HVAC <b>CUSTOM ENCLOSURE CO., LLC</b> 3554 Placidantl Ave. Hornburg, NY 14075 Phone: 716-646-0800 Fax: 716-646-0913			
PROJECT:			
MODEL: CABINET, ALUM. GRILLE OUTLET (LAMINATE TOP)			
DATE:	REV.	DWG. NO.	
02/01/05	#001	SC169-0058	